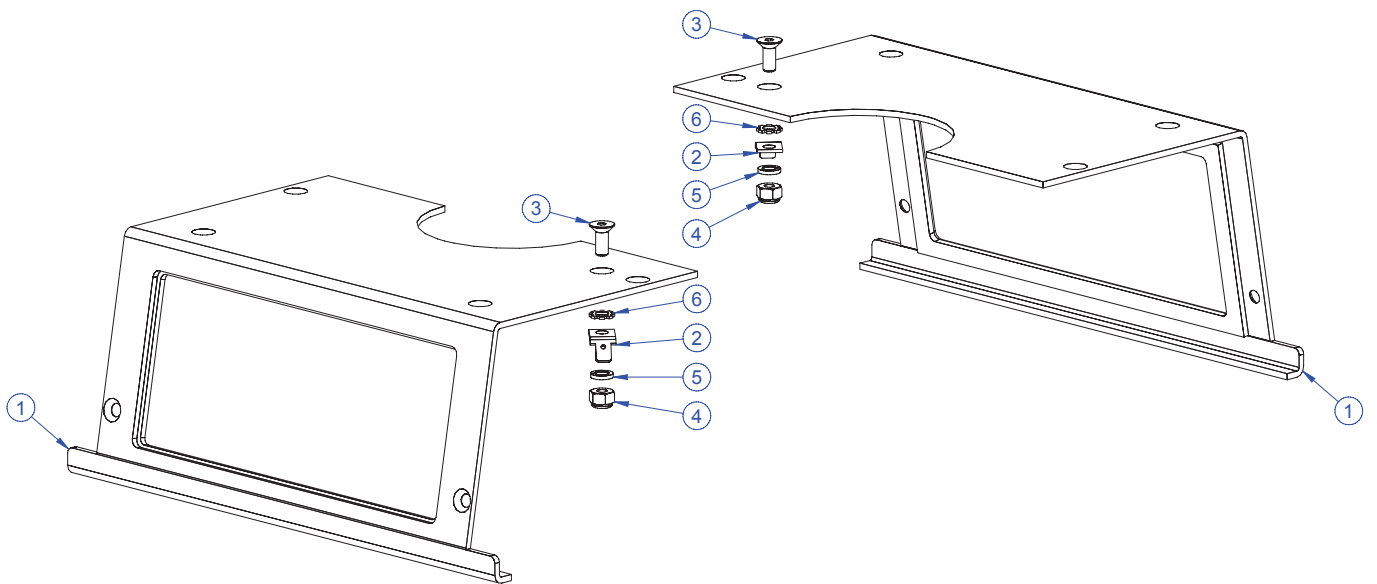
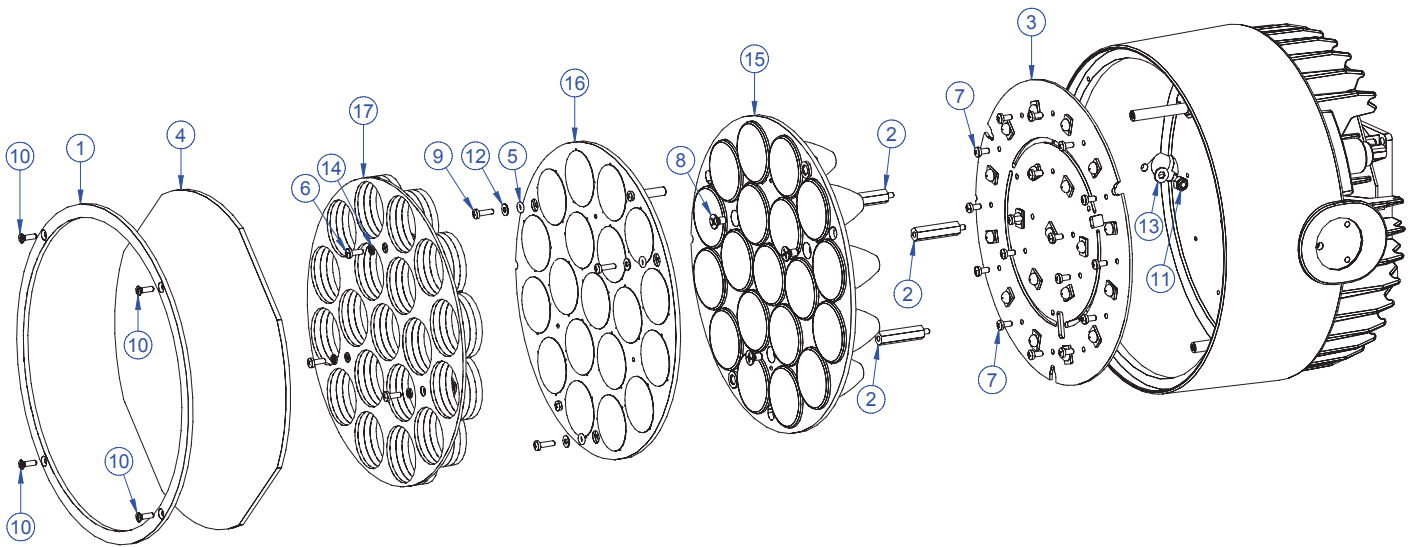


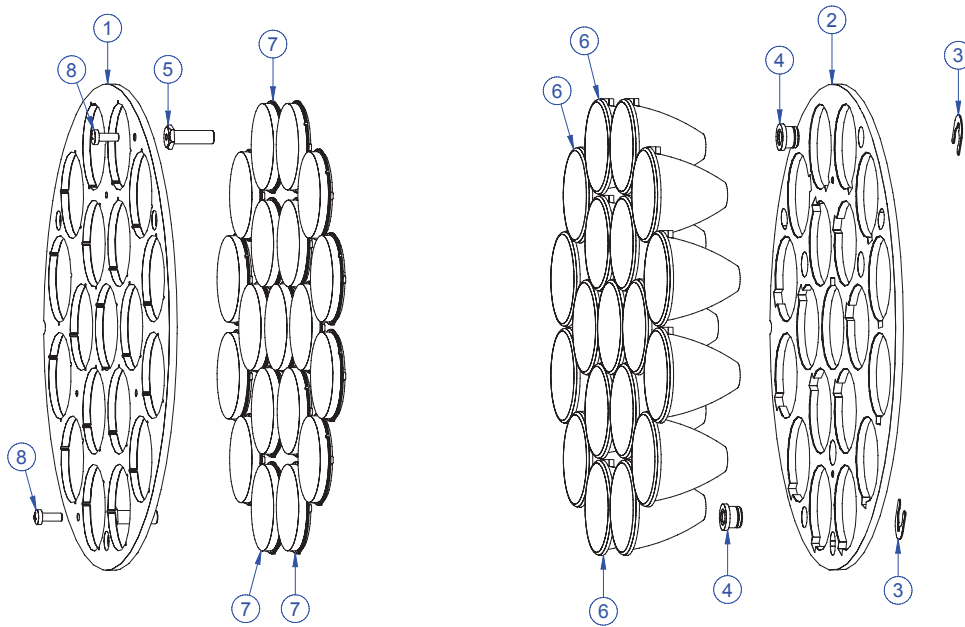
PRODUCT: Robin 300 LEDWash		
TITLE: Covers		
DOCUMENT: 99013090		
VERSION: 1	DATE: 13.06.2011	SHEET: 01 OF 10



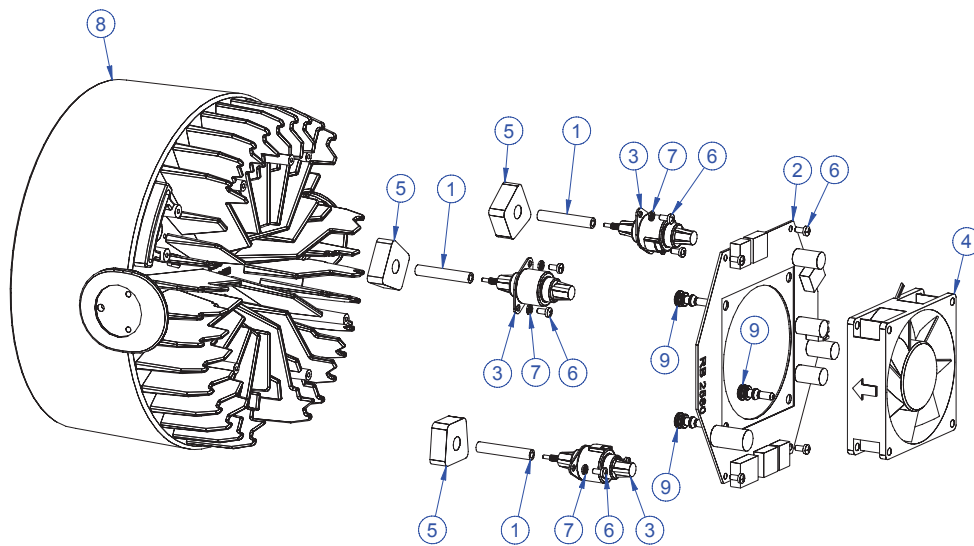
PRODUCT: Robin 300 LEDWash		
TITLE: Covers of base		
DOCUMENT: 99013088		
VERSION: 1	DATE: 13.06.2011	SHEET: 02 OF 10



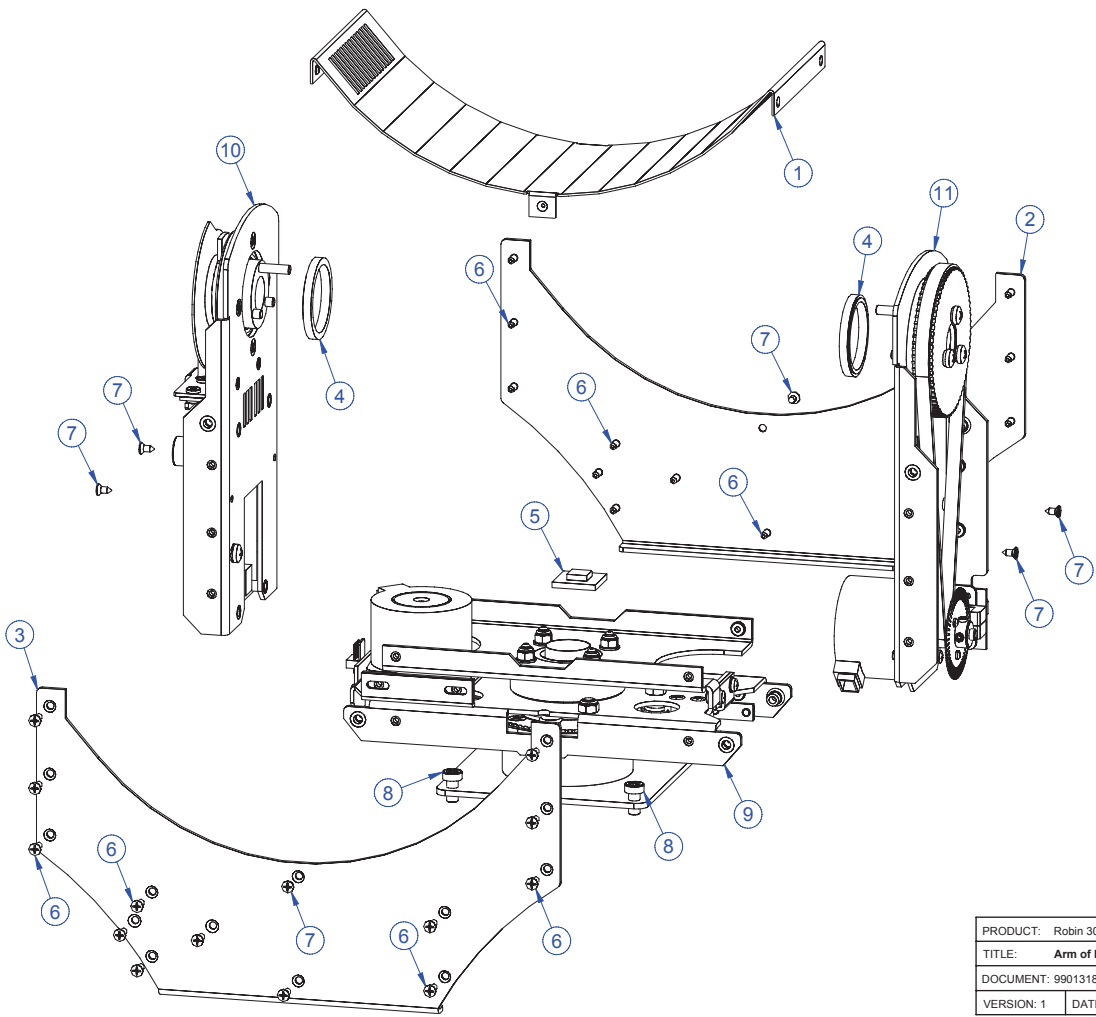
PRODUCT: Robin 300 LEDWash		
TITLE: Front module of head		
DOCUMENT: 99013089		
VERSION: 1	DATE: 13.06.2011	SHEET: 03 OF 10



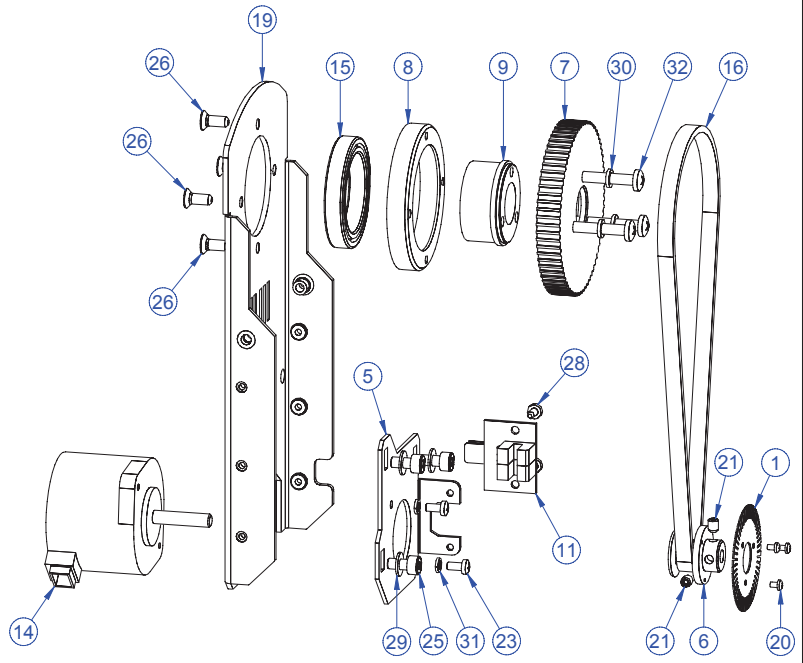
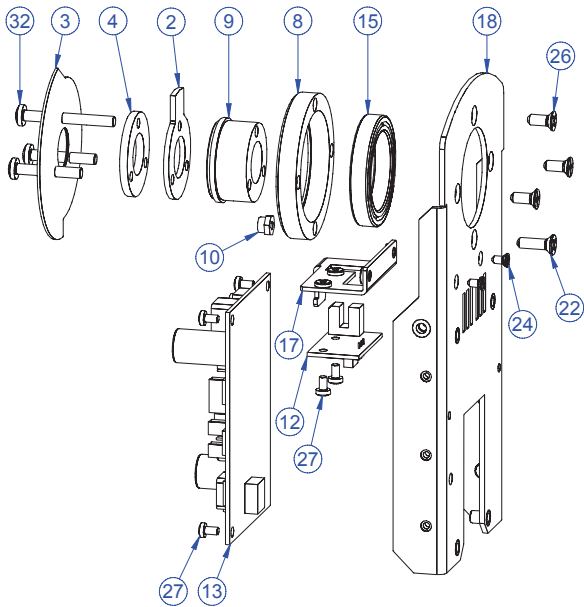
PRODUCT: Robin 300 LEDWash		
TITLE: Explode assembly		
DOCUMENT: 99013184, 99013185		
VERSION: 1	DATE: 13.06.2011	SHEET: 04 OF 10



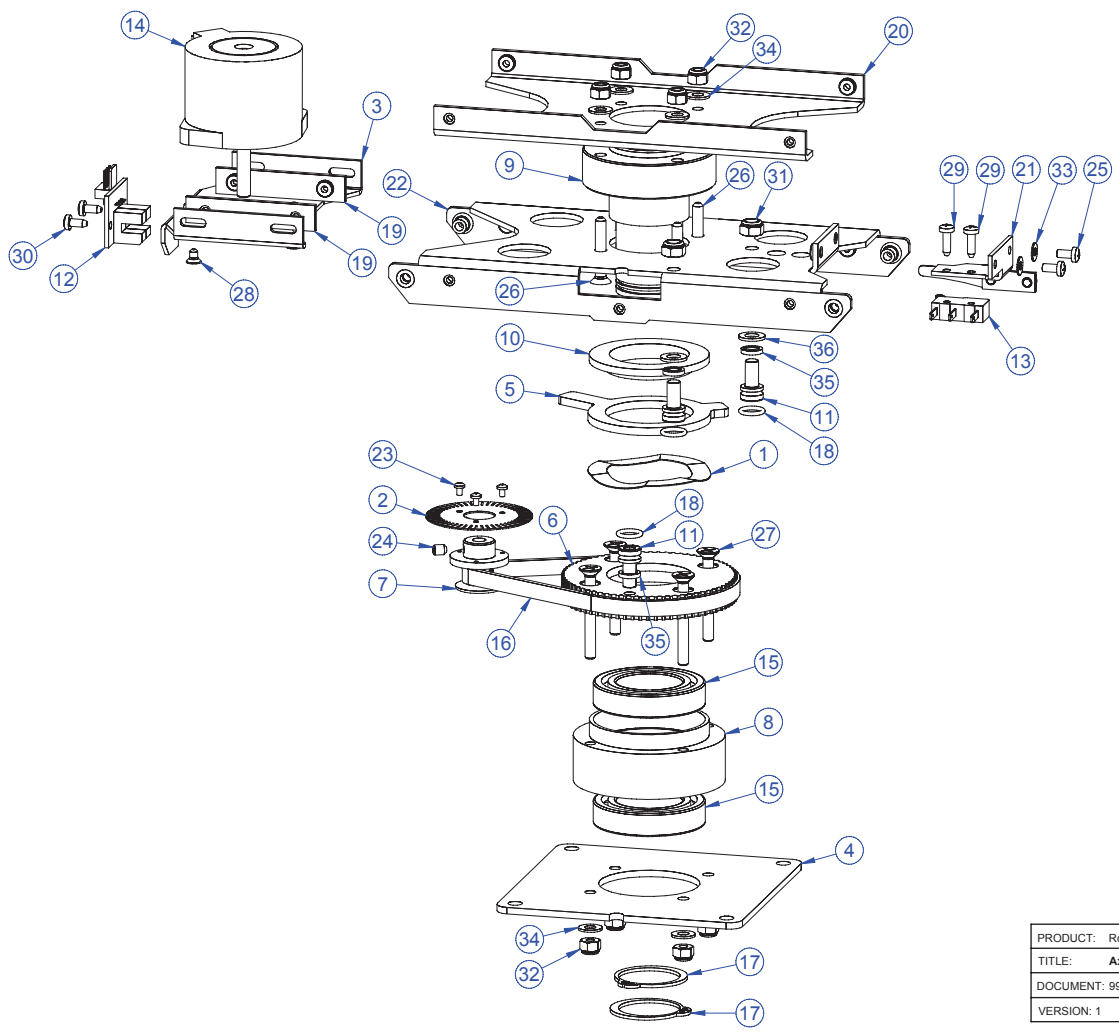
PRODUCT: Robin 300 LEDWash		
TITLE: Rear module of head		
DOCUMENT: 99013089		
VERSION: 1	DATE: 13.06.2011	SHEET: 05 OF 10



PRODUCT: Robin 300 LEDWash		
TITLE: Arm of head		
DOCUMENT: 99013183		
VERSION: 1	DATE: 13.06.2011	SHEET: 06 OF 10

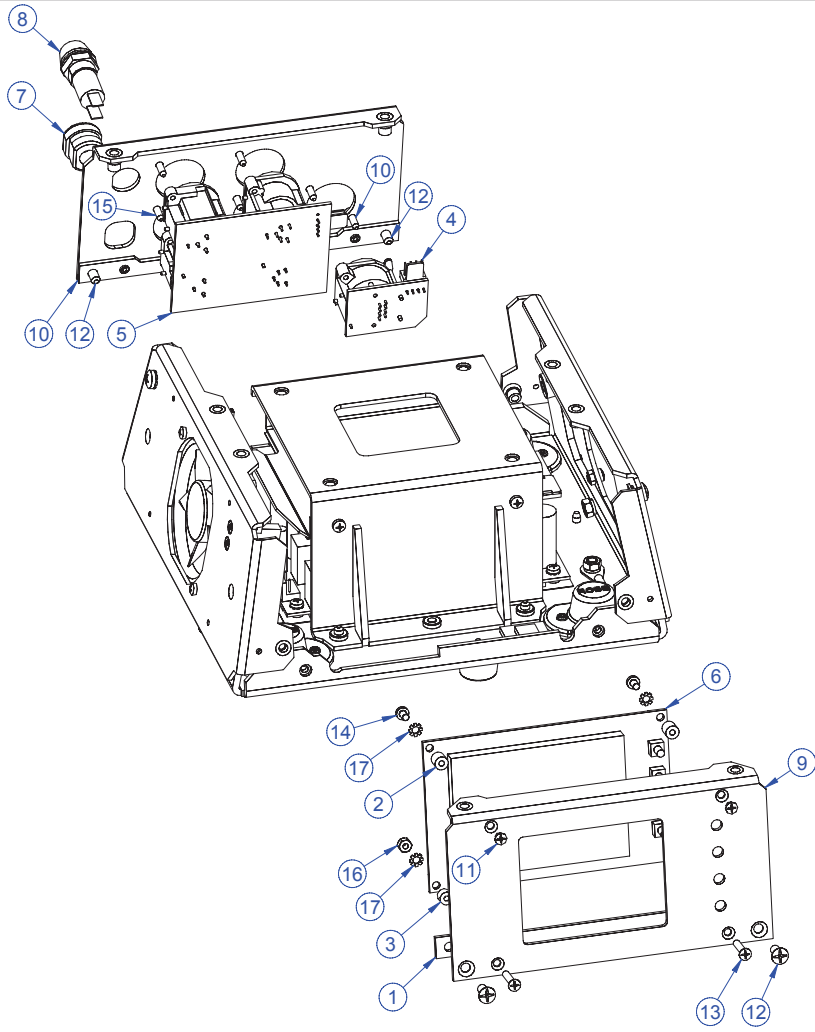


PRODUCT: Robin 300 LEDWash		
TITLE: Arm of axe "Y"		
DOCUMENT: 99013183		
VERSION: 1	DATE: 13.06.2011	SHEET: 07 OF 10

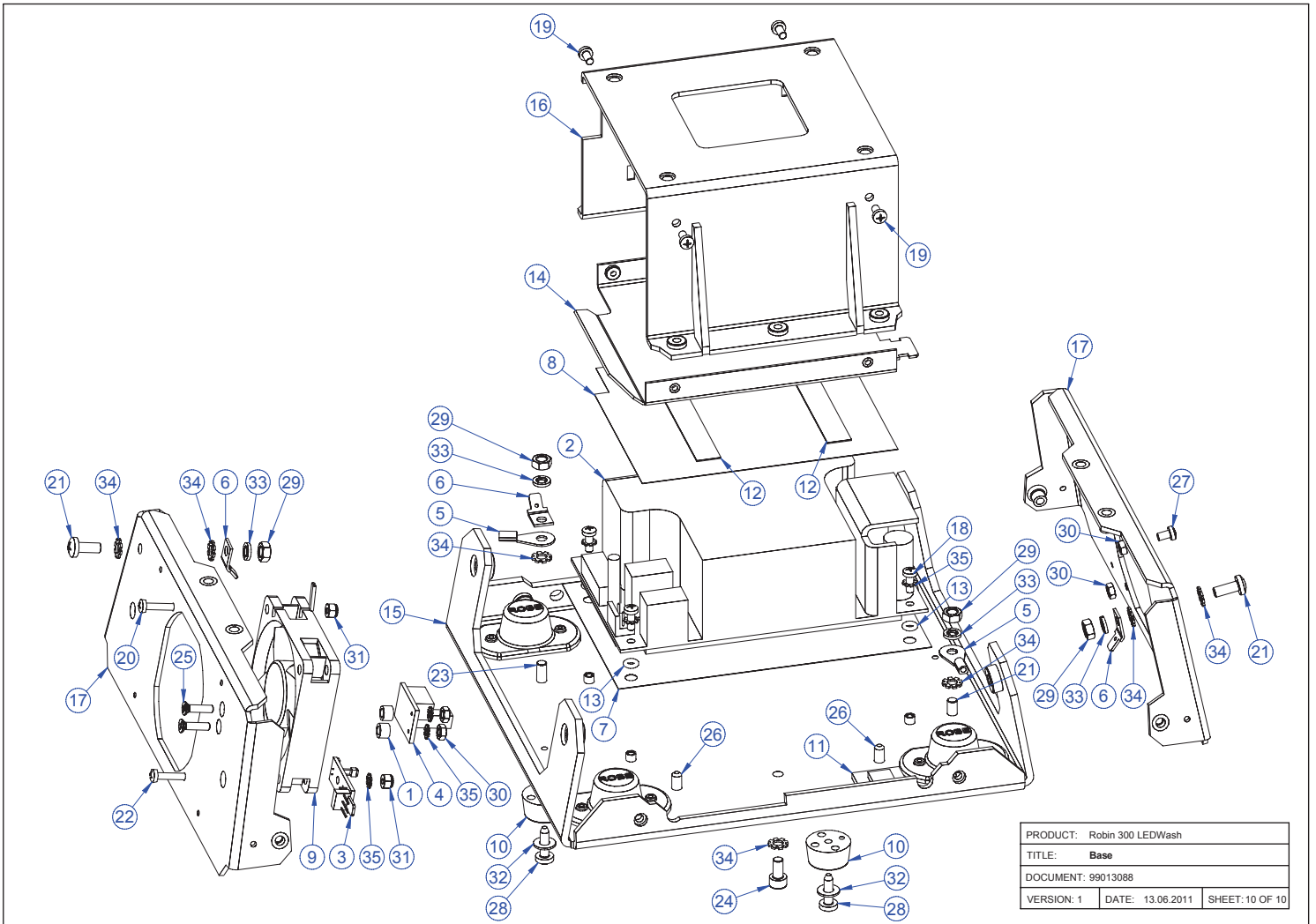


PRODUCT: Robin 300 LEDWash		
TITLE: Axe "X"		
DOCUMENT: 99013063		
VERSION: 1	DATE: 13.06.2011	SHEET: 08 OF 10





PRODUCT: Robin 300 LEDWash		
TITLE: Front and rear panel of base		
DOCUMENT: 99013088		
VERSION: 1	DATE: 13.06.2011	SHEET: 09 OF 10



PRODUCT: Robin 300 LEDWash		
TITLE: Base		
DOCUMENT: 99013088		
VERSION: 1	DATE: 13.06.2011	SHEET: 10 OF 10